



# RHINO-RACK

Aerodynamic & Heavy Duty Roof Rack Systems

## ALLOY LUGGAGE TRAY

Place these instructions in the vehicle's glove box after installation is complete.

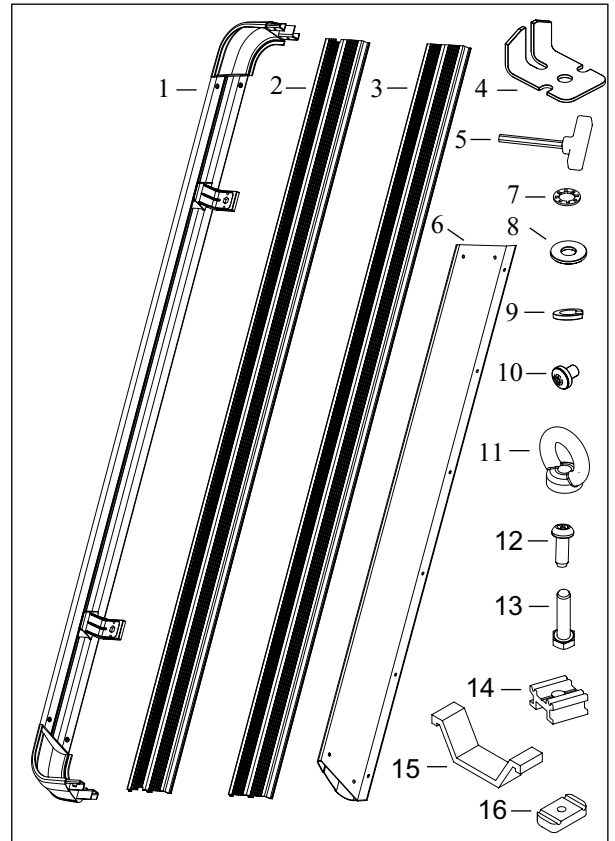
### Important:

Please read these instructions carefully prior to installation.

### Parts List

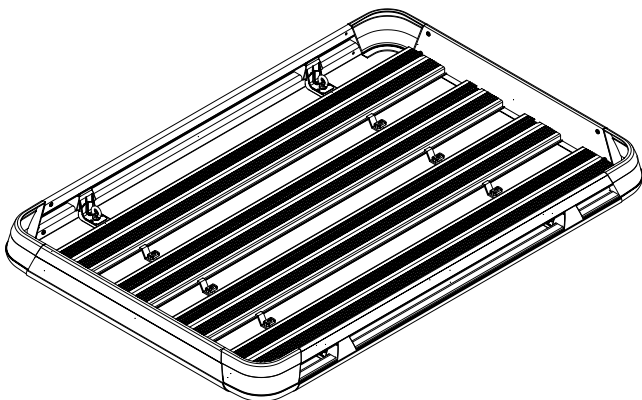
Important: Check the contents of kit before commencing fitment and report any discrepancies.

Item	Component Name	Qty.	Part No.
1	Side Rail Assembly	2	
2	Plank Extrusion Slotted	2	
3	Plank Extrusion	3-6	
4	Metal Bracket	4-8	C129
5	5mm Security Allen Key	1	H011/H013
6	Front/Rear Rail	2	
7	M10 Shakeproof Washer	4-8	W021
8	M10 Flat Washer	4-8	W023
9	M6 Spring Washer	4-12	W004
10	1/4-10 Screw	8	B046
11	M10 Eye Nut	4-8	C049
12	M6 Security Bolt	8-26	B061
13	M10 x 40 Bolt	4-8	B006
14	M10 Tab Cage	4-8	A153
15	V-Tab Cage	4-12	A154
16	M6 Channel Nut	4-12	N002
17	Fitting Instruction	1	RR88



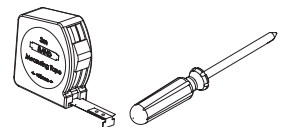
### Layout Example

Alloy Luggage Tray comes in assorted sizes from 2 - 4 Crossbars, 3 - 6 Planks.

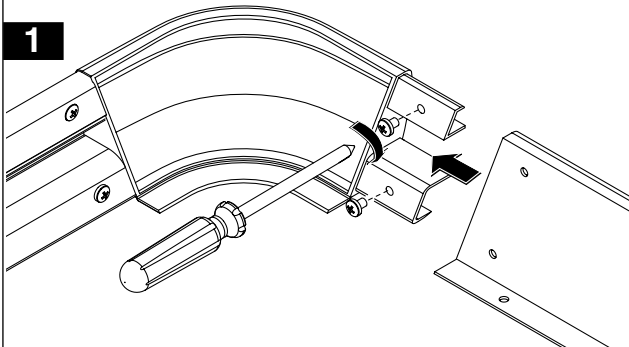


### Tools Required:

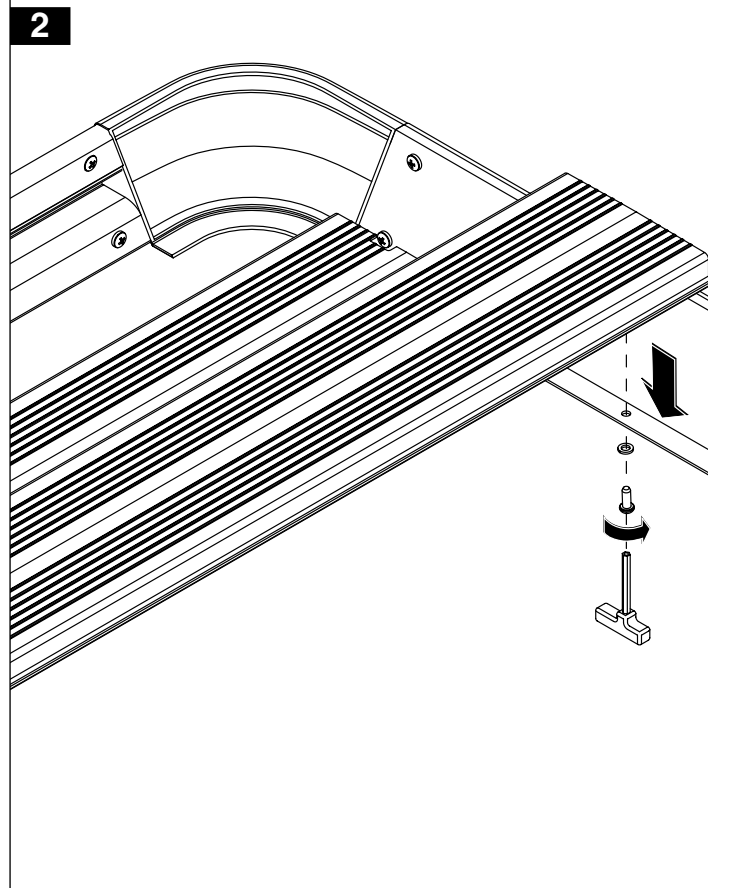
Philips Head Screw Driver.  
Measuring Tape.



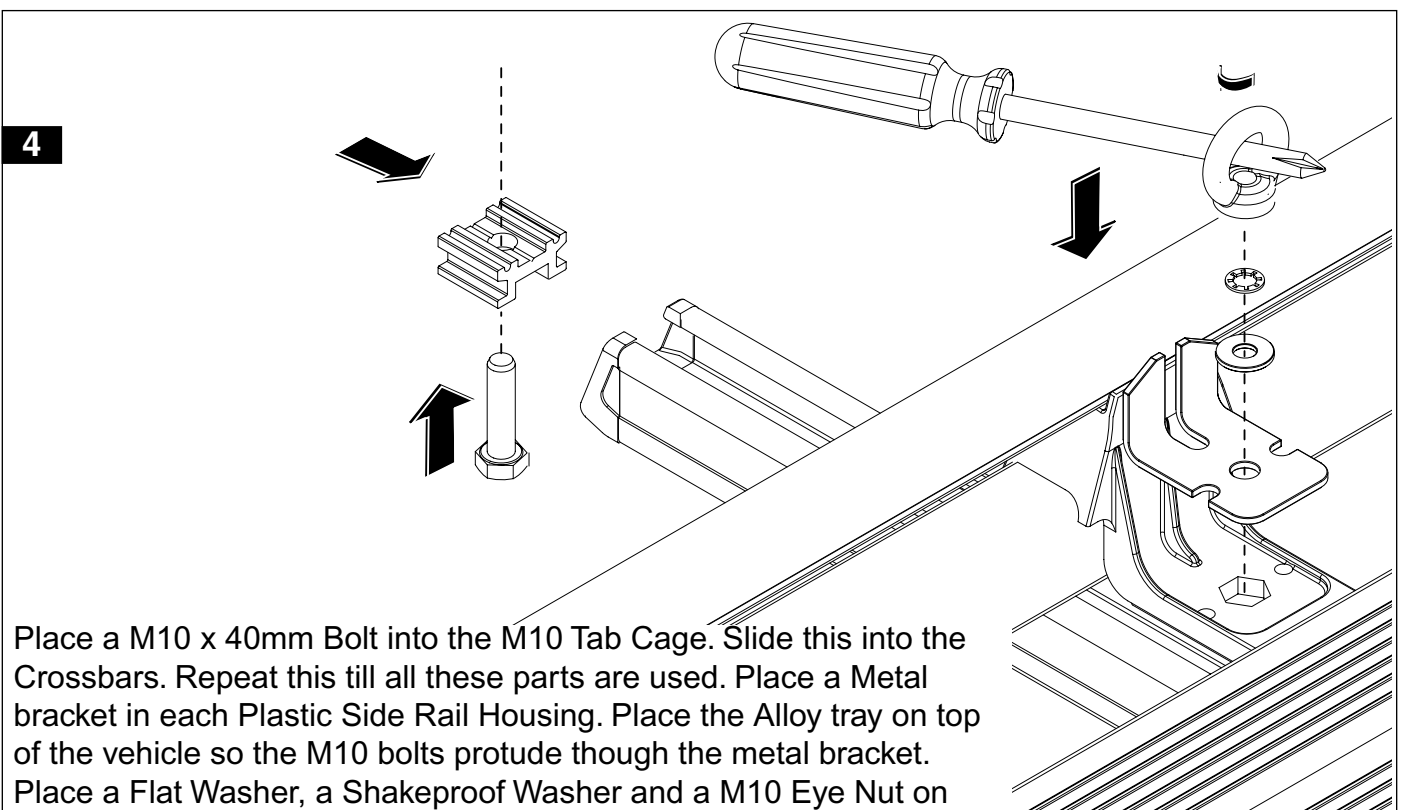
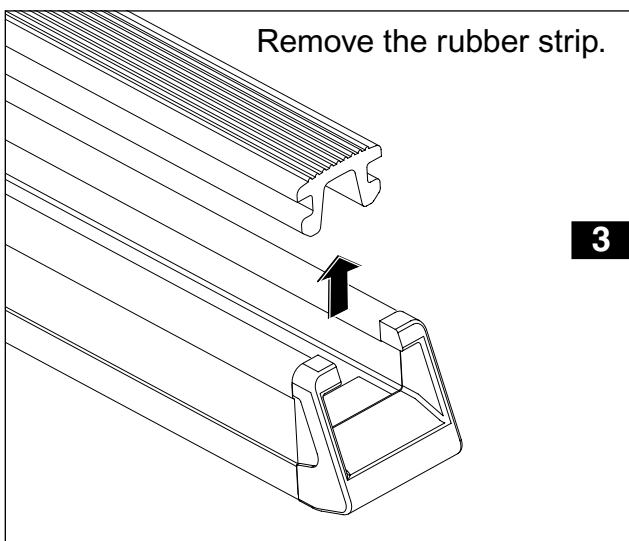
Insert the two Front Rail Extrusions into the Side Rail Assemblies. Insert the screws with a Philips Head Screw Driver as shown.



Insert the Plank Extrusions into the tray. Attach each Plank with two M6 Security Bolts and two Spring Washers using the Allen key provided. Please note there are two Plank Extrusions with slots. These are to be positioned on the far left and right hand side of the tray.

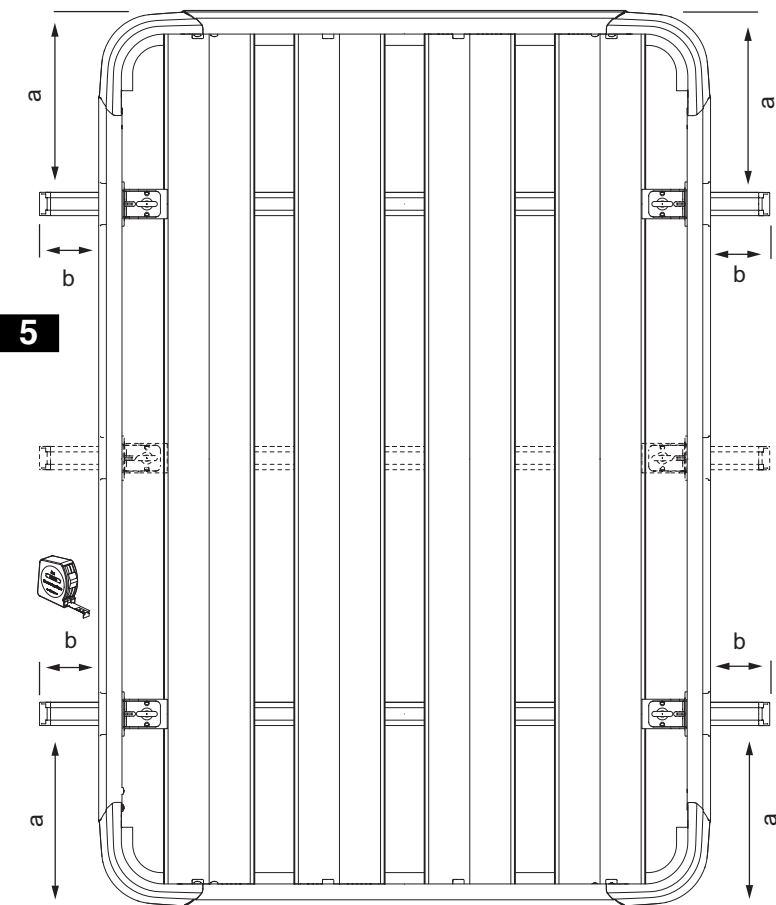


Remove the rubber strip.

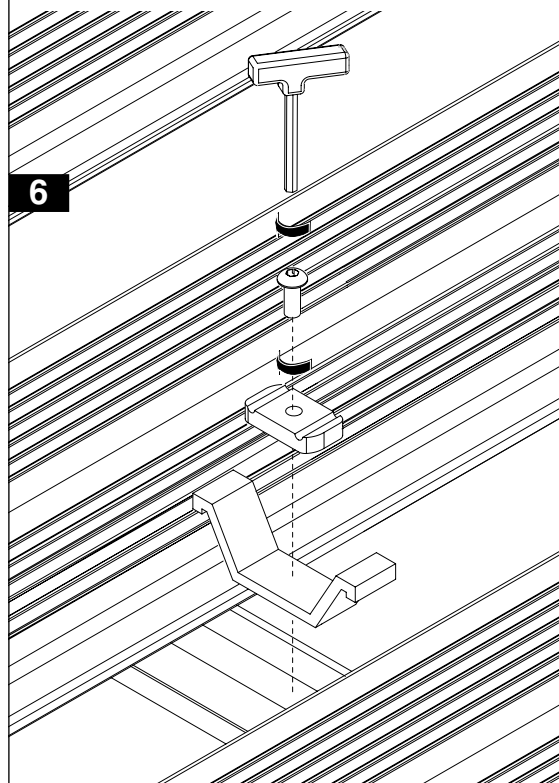


Place a M10 x 40mm Bolt into the M10 Tab Cage. Slide this into the Crossbars. Repeat this till all these parts are used. Place a Metal bracket in each Plastic Side Rail Housing. Place the Alloy tray on top of the vehicle so the M10 bolts protude though the metal bracket. Place a Flat Washer, a Shakeproof Washer and a M10 Eye Nut on each bolt.

Adjust the Alloy Tray on the crossbars so that dimension a is equal and dimension b is equal. Tighten the Eye Nuts to secure the alloy tray to the crossbars. For secure tie off points make sure the Eye Nuts are parallel to the crossbars as shown.



Place a V-Tab Cage in the roof rack bar between each Plank. Thread a M6 Security Bolt to a M6 Channel Nut. Place the unit into the Roof Rack Bar and rotate the Channel Nut 90°. Tighten with the Security Allen Key provided. Repeat till all Planks are secured to the Roof Rack Bar.



## **Important information:**

**Maximum carrying capacity :** Maximum permissible load is dependent on the vehicle carrying capacity

**Please Note:** In extreme off road conditions, the load limit has a built in safety factor of 1.5.

**Eg. Maximum allowable load is  $100\text{kg} \div 1.5 = 66\text{kg}$ .**

- **Note for Dealers and Fitters.** It is your responsibility to ensure the instructions are given to the end user or supplier.
- Bolt connections should be checked at regular intervals ( once a week is enough, but is dependent on road conditions, usage, loads and distance travelled.
- Bolts should be cleaned and lubricated at regular intervals.
- Rhino-Rack offers a 3 year Warranty to the original purchaser of the Rhino-Rack Alloy Luggage Tray.
- Rhino-Rack cannot be held responsible for incorrect mounting of luggage trays or for usage that exceeds production tolerances.
- Make sure to fasten the load securely. Ensure that all loads are evenly distributed in the luggage tray and that the centre of gravity is kept as low as possible.

**Use only non-stretch fastening ropes and straps.**

**Never use the side rails as tie off points. Always use the crossbar or the eyelets provided as tie off points.**

### **SENSITIVITY TO CROSS WINDS, BEHAVIOUR IN CURVES AND BRAKING**

The handling of your car changes when you transport a load on the roof. For safety reasons, we recommend you exercise extreme care when transporting wind resistant loads. Special consideration must always be taken into account when braking.

RHINO - RACK No: 02

Prepared By: Joseph Ormrod Issue No: RR88

Authorised By: Gary England Issue Date: 26/02/03

Manufactured by Rhino-Rack

3 Pike Street, Rydalmere,

NSW 2116, Australia

(Ph) 02 9638 4744 (Fax) 02 9638 4822